

SPiRiT 2000 • Magna-Clave® Sterilizers



Magna Clave MC100

MAGNA-CLAVE STERILIZER

The Pelton & Crane Magna-Clave sterilizer has been the dental industry's encore performer for over 30 years. With a proven track record and accommodating size, the Magna-Clave is ideal for the busy group practice, emergency clinic or small hospital. The Magna-Clave makes sterilization quick and easy with its state-of-the-art features and large chamber. You can feel confident of uncompromising sterilization with Pelton & Crane autoclaves.

KEY FEATURES

- Large size is ideal for the busy group practice, emergency clinic, or small hospital
- ASME-type safety valve to limit maximum chamber pressure to 34 PSI
- Capacity to sterilize up to 14 Hu-Friedy cassettes or equivalent
- One medium shallow tray and one basket tray
- Designed and manufactured to meet requirements of ASME Boiler and Pressure Vessel Codes

Magna-Clave® Sterilizer

Model MC100 MC101

Suggested Retail Price

\$16,900

Magna-Clave with stand

208 VAC
208 VAC
220/240 VAC 50HZ
220/240 VAC 60HZ
220/240 VAC 60HZ

P/N
041300-USA
041301-Canada
041304-USA
041306-USA
041307-Canada

Magna-Clave with stand and recorder

\$18,500

208 VAC w/recorder
208 VAC w/recorder
220/240 VAC 50HZ w/recorder
220/240 VAC 60HZ w/recorder
220/240 VAC 60HZ w/recorder

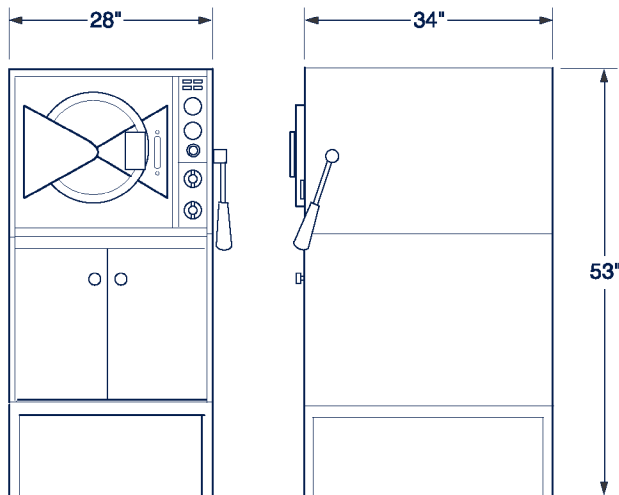
041302-USA
041303-Canada
041305-USA
041308-USA
041309-Canada

Accessories

P/N

Price

Recording thermometer field kit—50 Hz	041485	\$2,500.00	•	
Recording thermometer field kit—60 Hz	041486	2,500.00	•	
Medium shallow tray	018385	170.00	•	•
Basket tray	004802	270.00	•	•
Wall thermostat kit	004836	75.00	•	•
Recording thermometer chart (box of 50 for serial numbers 2783 and up)	013009	65.00	•	•
(box of 100 for serial numbers 1000 to 2782)	004471	80.00	•	•
Replacement door gasket	004497	97.40	•	•
Omni-Cleaner Plus (case of 12, 16 oz. each)	3006934	100.00	•	•



Specifications

- Electrical: 208 VAC, 60 Hz (ETL/cETL)
220-240 VAC, 50 or 60 Hz (ETL/cETL)
all units require dedicated 30 amp circuit
- Chamber size: 15.25" (38.7cm) wide x 26" (66.0cm) deep x 15" (38.1cm) high
- Required installation space:
64" (62.6cm) wide x 56" (142.2cm) deep x 85" (165.1cm) high (with stand)
35" (88.9cm) high without stand
- Weight: 355 lbs net; 444 lbs gross
- Recorder is mounted inside stand